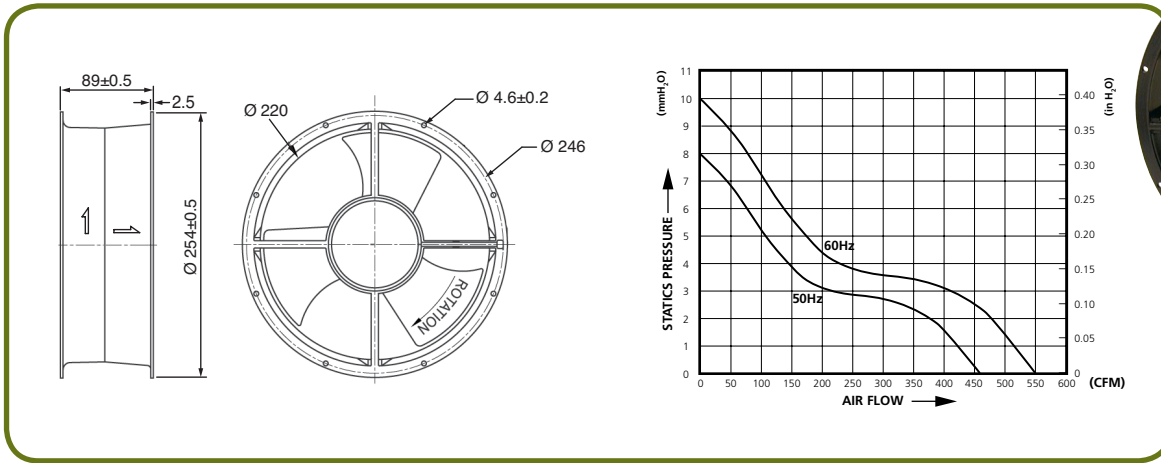


AC FANS

254 Ø x 89mm (10 x 3.5") Plastic Impeller



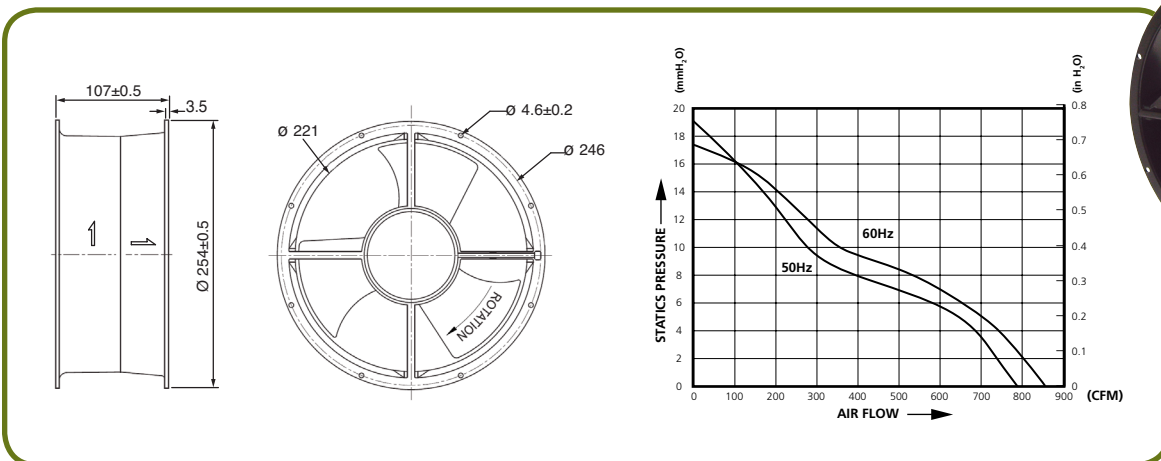
CFA23025489HB

CAPACITOR INDUCTION MOTOR

THERMAL PROTECTION

MODEL	RATED VOLTAGE VAC	FREQUENCY Hz	INPUT POWER W	RATED CURRENT A	BEARINGS	SPEED RPM	AIR FLOW CFM	MAX. PRESSURE mmH ₂ O	NOISE dB	CONNECTION	APPROVAL
CFA11525489HB	115	60	33	0.29	Ball	1650	550	10	55	Terminals	
CFA23025489HB	230	50/60	31/33	0.14/0.14	Ball	1400/1650	460/550	8/10	52/55	Terminals	

254 Ø x 107mm thick (10 x 4.2") Plastic Impeller



CFA115254107HB

CAPACITOR INDUCTION MOTOR

THERMAL PROTECTION

MODEL	RATED VOLTAGE VAC	FREQUENCY Hz	INPUT POWER W	RATED CURRENT A	BEARINGS	SPEED RPM	AIR FLOW CFM	MAX. PRESSURE mmH ₂ O	NOISE dB	CONNECTION	APPROVAL
CFA115254107HB	115	60	125	1.07	Ball	2750	850	17.5	65	Terminals	
CFA230254107HB	230	50/60	95/125	0.42/0.50	Ball	2600/2750	780/850	19.0/17.5	63/65	Terminals	