

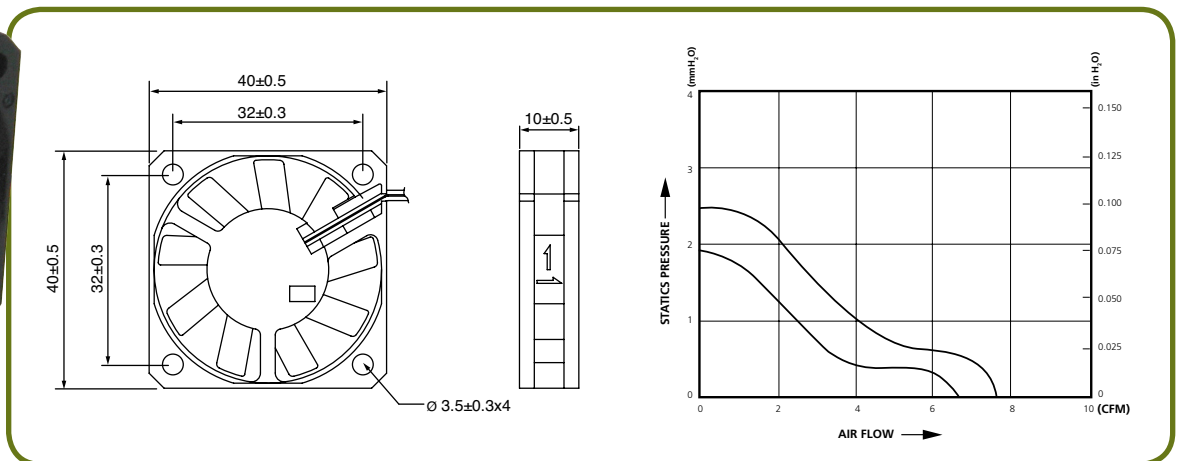
DC FANS



- Frame: Glass fibre reinforced plastic 94V-0 PBT or Die Cast aluminum
- Impeller: Glass fibre reinforced plastic 94V-0 PBT
- Bearing: Ball or Sleeve
- Input Voltage: 5, 12 or 24VDC
- Connection: 3 Wire leads
- Locked rotor alarm sensor
- Approvals: CSA/UL

Manufactured with high quality industry standards Circuit-Test fans deliver high performance, efficiency and reliability. Made with Glass fibre reinforced plastic or Die Cast aluminum the DC Brushless fans are available in wide range of sizes to fit most applications. These industrial quality cooling fans are ideal for Data communications, Instrumentation and many other computer and electronic applications. Available in 5, 12 and 24VDC, these fans have 3 wire leads and offer the "locked rotor alarm sensor" as a standard feature. They also meet the North American safety standard approvals CSA/UL.

40 x 40 x 10mm (1.57 x 1.57 x 0.39")



MODEL	RATED VOLTAGE VDC	INPUT POWER W	RATED CURRENT A	BEARINGS	SPEED RPM	AIR FLOW CFM	MAX. PRESSURE mmH ₂ O	NOISE dB	APPROVAL
CFA054010HB	5	1.15	0.23	Ball	6500	7.7	2.4	29	CSA UL
CFA124010MB	12	1.08	0.09	Ball	5000	6.5	1.87	24	CSA UL US
CFA124010MS	12	1.08	0.09	Sleeve	5000	6.5	1.87	24	CSA UL US