

CIRCUIT-TEST

AC Cooling Fans - A25107 Series

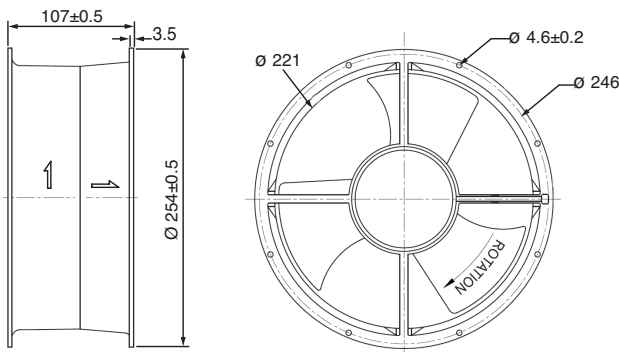


- Size: 254 Ø x 107mm (10 x 4.25")
- Frame: Die-cast aluminum
- Impeller: Glass fiber reinforced plastic 94V-0 PBT
- Bearing: Ball
- Motor: Capacitor induction
- Protection: Thermal
- Connection: Terminals
- Weight: 2500g



MODEL	RATED VOLTAGE VAC	FREQUENCY Hz	INPUT POWER W	RATED CURRENT A	BEARINGS	SPEED RPM	AIR FLOW CFM	MAX. PRESSURE mmH ₂ O	NOISE dB	CONNECTION
CFA115254107HB	115	60	125	1.07	Ball	2750	850	17.5	65	Terminals
CFA230254107HB	230	50/60	95/125	0.42/0.50	Ball	2600/2750	780/850	19.0/17.5	63/65	Terminals

Dimensions (mm)



Performance Curve

