

CIRCUIT-TEST

AC Cooling Fans - A2589 Series

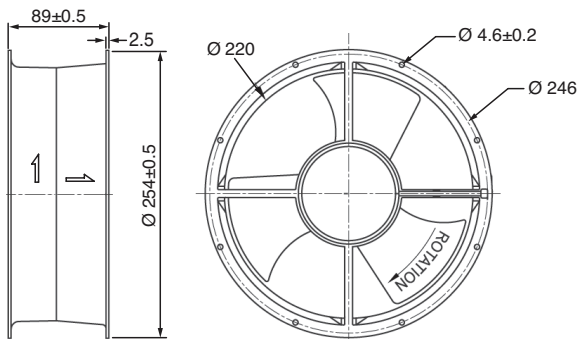


- Size: 254 Ø x 89mm (10 x 3.5")
- Frame: Die-cast aluminum
- Impeller: Glass fiber reinforced plastic 94V-0 PBT
- Bearing: Ball
- Motor: Capacitor induction
- Protection: Thermal
- Connection: Terminals
- Weight: 1900g



MODEL	RATED VOLTAGE VAC	FREQUENCY Hz	INPUT POWER W	RATED CURRENT A	BEARINGS	SPEED RPM	AIR FLOW CFM	MAX. PRESSURE mmH ₂ O	NOISE dB	CONNECTION
CFA11525489HB	115	60	33	0.29	Ball	1650	550	10	55	Terminals
CFA23025489HB	230	50/60	31/33	0.14/0.14	Ball	1400/1650	460/550	8/10	52/55	Terminals

Dimensions (mm)



Performance Curve

