

CIRCUIT-TEST

DC Cooling Fans - D0410 Series

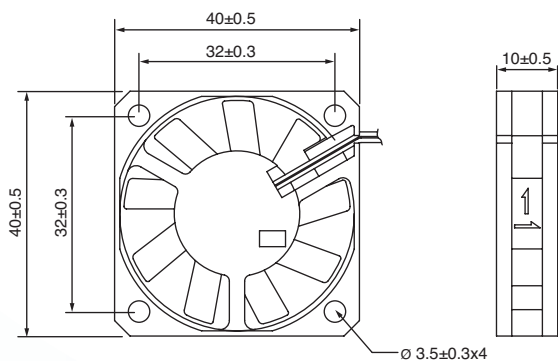


- Size: 40 x 40 x 10mm (1.57 x 1.57 x 0.39")
- Frame: Glass fiber reinforced plastic 94V-0 PBT
- Impeller: Glass fiber reinforced plastic 94V-0 PBT
- Bearing: Ball or Sleeve
- Connection: Wire leads
- Feature: Locked rotor alarm signal output
- Weight: 18g



MODEL	RATED VOLTAGE VDC	INPUT POWER W	RATED CURRENT A	BEARINGS	SPEED RPM	AIR FLOW CFM	MAX. PRESSURE mmH ₂ O	NOISE dB
CFA054010HB	5	1.15	0.23	Ball	6500	7.7	2.4	29
CFA124010MB	12	1.08	0.09	Ball	5000	6.5	1.87	24
CFA124010MS	12	1.08	0.09	Sleeve	5000	6.5	1.87	24

Dimensions (mm)



Performance Curve

