

CIRCUIT-TEST

DC Cooling Fans - D0510 Series

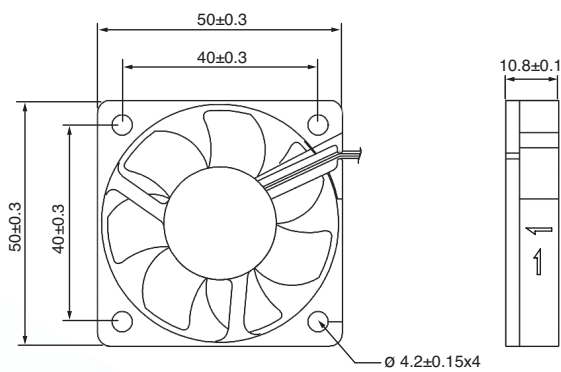


- Size: 50 x 50 x 10mm (1.97 x 1.97 x 0.39")
- Frame: Glass fiber reinforced plastic 94V-0 PBT
- Impeller: Glass fiber reinforced plastic 94V-0 PBT
- Bearing: Sleeve
- Connection: Wire leads
- Feature: Locked rotor alarm signal output
- Weight: 20g



MODEL	RATED VOLTAGE VDC	INPUT POWER W	RATED CURRENT A	BEARINGS	SPEED RPM	AIR FLOW CFM	MAX. PRESSURE mmH ₂ O	NOISE dB
CFA125010HS	12	1.92	0.16	Sleeve	5500	12.2	2.54	32
CFA125010MS	12	1.20	0.10	Sleeve	4000	8.79	1.46	29

Dimensions (mm)



Performance Curve

