

CIRCUIT-TEST

DC Cooling Fans - D0615 Series

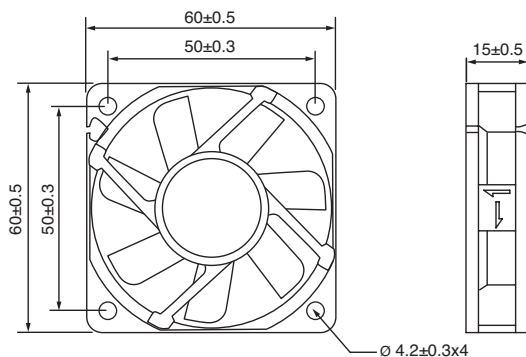


- Size: 60 x 60 x 15mm (2.36 x 2.36 x 0.59")
- Frame: Glass fiber reinforced plastic 94V-0 PBT
- Impeller: Glass fiber reinforced plastic 94V-0 PBT
- Bearing: Sleeve
- Connection: Wire leads
- Feature: Locked rotor alarm signal output
- Weight: 35g



MODEL	RATED VOLTAGE VDC	INPUT POWER W	RATED CURRENT A	BEARINGS	SPEED RPM	AIR FLOW CFM	MAX. PRESSURE mmH ₂ O	NOISE dB
CFA126015MS	12	1.92	0.16	Sleeve	3800	20.22	3.1	30

Dimensions (mm)



Performance Curve

