

CIRCUIT-TEST

DC Cooling Fans - D0815 Series

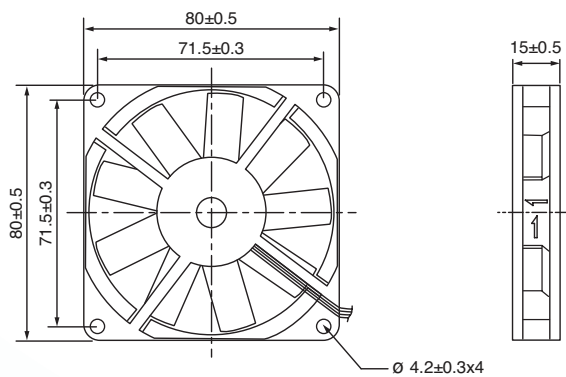


- Size: 80 x 80 x 15mm (3.15 x 3.15 x 0.59")
- Frame: Glass fiber reinforced plastic 94V-0 PBT
- Impeller: Glass fiber reinforced plastic 94V-0 PBT
- Bearing: Sleeve
- Connection: Wire leads
- Feature: Locked rotor alarm signal output
- Weight: 59g



MODEL	RATED VOLTAGE VDC	INPUT POWER W	RATED CURRENT A	BEARINGS	SPEED RPM	AIR FLOW CFM	MAX. PRESSURE mmH ₂ O	NOISE dB
CFA128015HS	12	3.24	0.27	Sleeve	3000	39	3.2	35

Dimensions (mm)



Performance Curve

