

CIRCUIT-TEST

DC Cooling Fans - D1225 Series

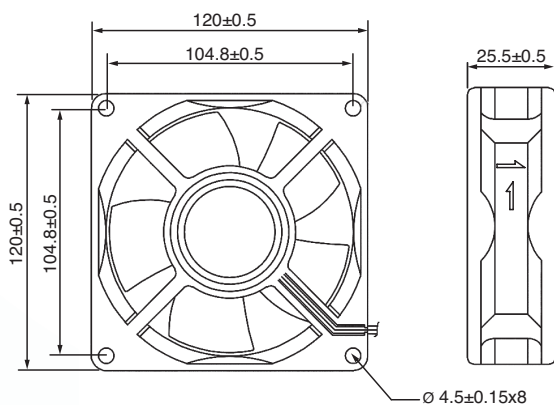


- Size: 120 x 120 x 25mm (4.7 x 4.7 x 1")
- Frame: Glass fiber reinforced plastic 94V-0 PBT
- Impeller: Glass fiber reinforced plastic 94V-0 PBT
- Bearing: Ball or Sleeve
- Connection: Wire leads
- Feature: Locked rotor alarm signal output
- Weight: 150g



MODEL	RATED VOLTAGE VDC	INPUT POWER W	RATED CURRENT A	BEARINGS	SPEED RPM	AIR FLOW CFM	MAX. PRESSURE mmH ₂ O	NOISE dB
CFA1212025LS	12	1.68	0.14	Sleeve	2000	61.4	2.9	38
CFA1212025MB	12	3	0.25	Ball	2500	74.5	3.8	43.84
CFA1212025MS	12	3	0.25	Sleeve	2500	74.5	3.8	43.84
CFA2412025MS	24	4.32	0.18	Sleeve	2500	74.5	3.8	43.84

Dimensions (mm)



Performance Curve

